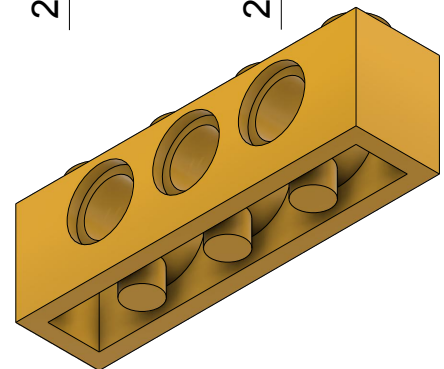
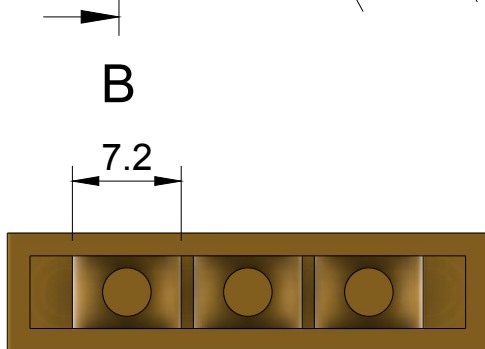
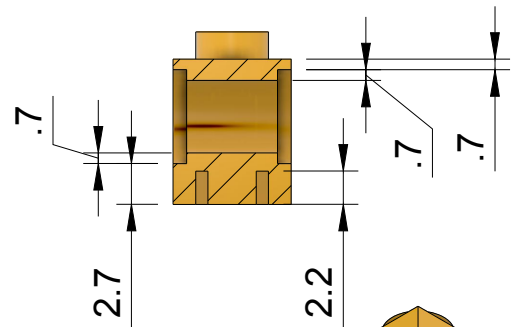


**B-B (2:1)**



Dept.	Technical reference	Created by <b>Christopher Bartneck</b>	Approved by	
Scale 2:1		Document type	Document status	
		Title <b>LEGO Technic 1x4 Brick 3701 Dimensions</b>	DWG No.	
		Rev.	Date of issue <b>21 April 2019</b>	Sheet <b>1/1</b>